

ECL-SP440 Color Pan Tilt Zoom Dome

Fully Integrated Indoor and Outdoor Enclosures with Camera and Zoom Lens

The ECL-SP440 Pan Tilt Zoom Dome combines the essential industry standards in a small, easy to operate platform. The dome is equipped with all the features necessary to meet the requirements of even the most demanding customers. Its compact and feature rich design allows discrete placement in aesthetic architectural environments while providing outstanding performance. Overall, the SP440 provides enhanced productivity with unlimited possibilities for commercial and industrial applications.

Indoor Wall Mount



Outdoor Wall Mount



Key Features

- Low Light and Slow Shutter Operation
- Variable Speed Control
- 360° Continuous Rotation
- 64 Programmable Presets
- 22X Optical & 10X Digital Zoom
- Connects to RS-485
- Compatible with Most DVR's
- Speed - 36° per Second (100° on presets)

<p>ECL-SP440 (default) Indoor Speed Dome with Indoor Wall Mount</p>	<p>ECL-SP440R Indoor Speed Dome with Indoor Recess Mount</p>	<p>ECL-SP440P Indoor Speed Dome with 3in Indoor Pendant Mount</p> <p>ECL-SP440P4 Indoor Speed Dome with 9in Indoor Pendant Mount</p>	<p>ECL-SP440E Outdoor Speed Dome with Outdoor Wall Mount</p>	<p>ECL-SP440EP Outdoor Speed Dome with 3in Outdoor Pendant Mount</p> <p>ECL-SP440EP4 Outdoor Speed Dome with 9in Outdoor Pendant Mount</p>
--	---	--	---	--

ECL-SP440 Color Pan Tilt Zoom Dome

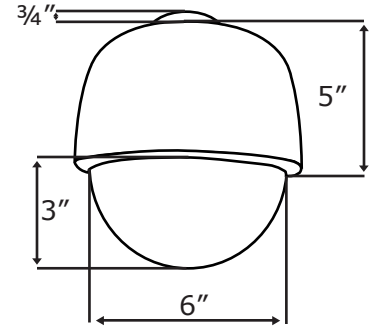
Fully Integrated Indoor and Outdoor Enclosures with Camera and Zoom Lens



Indoor



Outdoor



Day Night Operation	Color During Day, B/W at Night (Auto Switching)
Pick Up Device	1/4" Sony Super HAD CCD
Resolution	480 TV Lines
Minimum Illumination	0.05 Lux
Lens	3.9 - 85.8mm Auto Focus
Zoom	22X Optical, 10X Digital (220X Total)
Infra-Red Sensitivity	None (IR Block Filter)
Vertical Sync	Internal
Gain Control	Electronic Slow Shutter 1/1 - 1/10,000sec
White Balance	Auto, ATW, Indoor, Outdoor, One Push, Manual

Horizontal Rotation	(Pan Travel) 360° Continuous
Vertical Rotation	(Tilt Travel) 0° - 90° (Auto Flip)
Protocols	(RS-485) Pelco, Pelco-D, Pelco-P, Eclipse, Ultrak
Speed	36° Per Second (100° on Presets)
Speed Control	Variable (Adjusts to Manipulation)
Presets	64 Programmable
Touring (Auto Scan)	3 Speed Selectable
Smart Scan	2 Positions Preset (Adjustable Speed)
Focus Control	Manual / Auto (sensitivity adjustment normal or low)
Pan/Tilt Accuracy	+/- 0.05° Preset Recall
Upper Dome Material	Aluminum (IP66 for Outdoor Enclosure)
Lower Dome Material	Clear Acrylic (other options available)
Power Source	24 VAC (30 Watts)
Temperature	0 - 122F (-14 - 122F with Heater)
Humidity	0 - 85% RH Non Condensing

ECL-SP440 Mounting Bracket Options

<p>Indoor Wall Mount</p> 	<p>3 or 9in Indoor Pendant Mount</p> 	<p>Indoor Recess Mount</p> 	<p>Outdoor Wall Mount</p> 	<p>3 or 9in Outdoor Pendant Mount</p> 
--	--	--	---	---